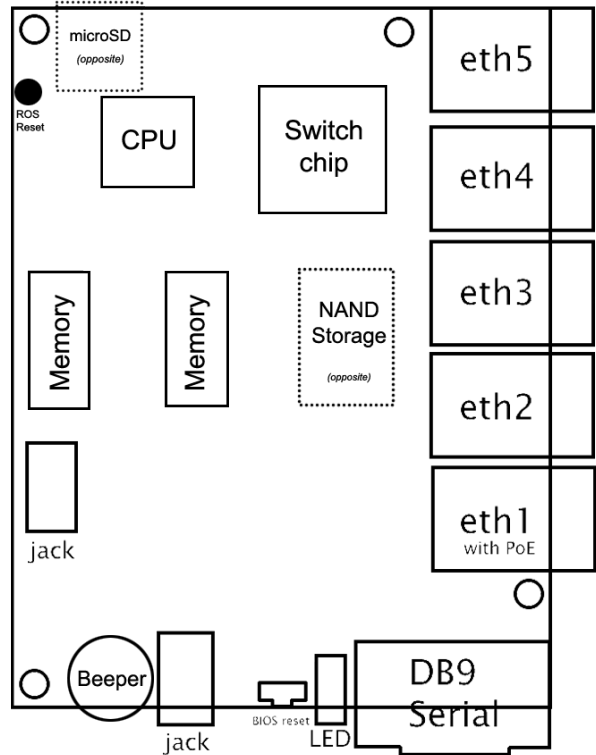
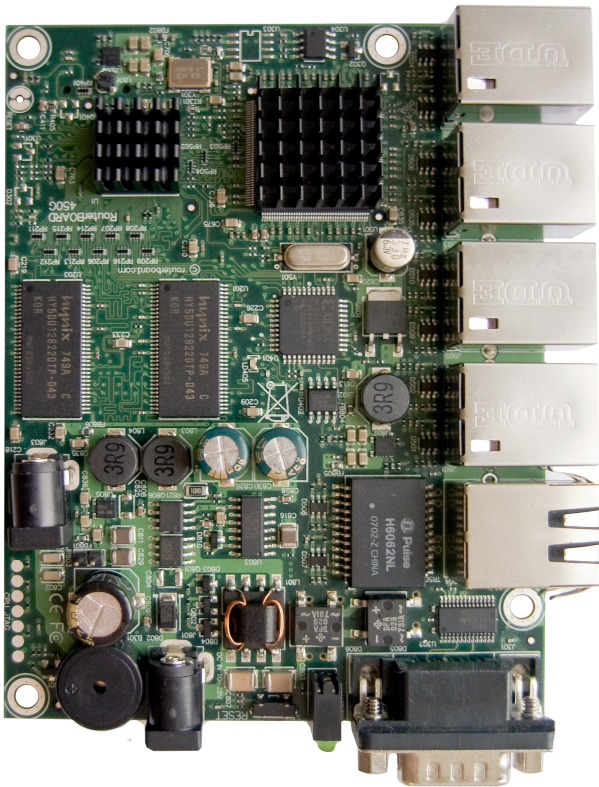


RouterBOARD 450G

Quick Setup Guide and Warranty Information



Assembling the Hardware

First use of the board:

- Install the board in a case;
- Connect other peripherals and cables;
- Plug in power cable, or PoE powered ethernet cable to turn on the device.

Powering

The device accepts powering from either of the two power jacks, or from the LAN1 Ethernet port:

- direct-input power jacks **J7/J8** (5.5mm outside and 2mm inside diameter, female, pin positive plug) accept 9..28 V DC (overvoltage protection starts at 30V).
- LAN1 Ethernet port **J6** accepts 9..28 V DC input (at the board; higher voltage needed to compensate for power loss on long cables; at least 18V suggested) from non-standard (passive) Power over Ethernet injectors (no power over datalines). The board **does not** work with IEEE802.3af compliant 48V power injectors.

CAUTION: all three power inputs are always active, but only one of them may be used at time to avoid damage of equipment.

Booting process

First, RouterBOOT loader is started. It displays some useful information on the onboard RS232C asynchronous serial port. The serial port is set by default to 115200bit/s, 8 data bits, 1 stop bit, no parity (**Note that the device does not fully implement the hardware (RTS/CTS) flow control, so it is suggested to try to disable hardware flow control in the terminal emulation program in case the serial console does not work as expected, and if it does not help, make a new cable using the pinout given in the User's manual**). By default, RouterOS operating system is installed on RouterBOARDS. It is loaded at this point. The loader may be configured to boot the system from the onboard NAND, and/or from network. See the respective section of User's manual on how to configure booting sequence and other BIOS parameters.

http://wiki.mikrotik.com/wiki/First_time_startup

DHCP or BOOTP (configurable in loader) protocols allow the RB450 device to get an initial IP address, and provide the address of a TFTP server to download an ELF boot image from. It is especially useful for software installation. See the User's manual for more information and protocol details. Note that you must connect the RouterBOARD you want to boot and the BOOTP/DHCP and TFTP servers to the same broadcast domain (i.e., there must not be any routers between them – they must be on the same Ethernet switch).

Extension Slots and Ports

- Five Ethernet ports, supporting automatic cross/straight cable correction (Auto MDI/X), so you can use either straight or cross-over cables for connecting to other network devices. The first Ethernet port accepts 9..28 V DC powering from a passive PoE injector. The other four Ethernet ports **do not** support PoE powering.
- DB9 RS232C asynchronous serial port.

Buttons and Jumpers

- ROS reset jumper hole – resets RouterOS software to defaults. Must short circuit the metallic sides of the hole (with a screwdriver, for example) and boot the device. Hold screwdriver in place until RouterOS configuration is cleared.
- RouterBOOT reset button – loads backup RouterBOOT Loader firmware. Must hold button while booting. Use in case operating system can't be booted and no useful information on Serial console output.

Operating System Support

Currently tested operating system is MikroTik RouterOS (starting from version v3).

Copyright and Warranty Information

Copyright and Trademarks. Copyright MikroTik SIA. This manual contains information protected by copyright law. No part of it may be reproduced or transmitted in any form without prior written permission from the copyright holder. RouterBOARD, RouterOS, RouterBOOT and MikroTik are trademarks of MikroTik SIA. All trademarks and registered trademarks appearing in this manual are the property of their respective holders.

Hardware. MikroTik SIA warrants all RouterBOARD series equipment for the term of one year from the shipping date to be free of defects in materials and workmanship under normal use and service, except in case of damage caused by mechanical, electrical or other accidental or intended damages caused by improper use or due to wind, rain, fire or other acts of nature.

If you have purchased your product from a MikroTik Reseller, please contact the Reseller company regarding all warranty and repair issues, the following instructions apply **ONLY** if you purchased your equipment directly from MikroTik Latvia

To return failed unit or units to MikroTik you must perform the following RMA (Return Material Authorization) procedure. Follow the instructions below to save time, efforts, avoid costs, and improve the speed of the RMA process. Take into account that all goods have one year warranty.

Instructions are located on our webpage here: <http://rma.mikrotik.com>

Manual. This manual is provided "as is" without a warranty of any kind, expressed or implied, including, but not limited to, the implied warranty of merchantability and fitness for a particular purpose. The manufacturer has made every effort to ensure the accuracy of the contents of this manual, however, it is possible that it may contain technical inaccuracies, typographical or other errors. No liability is assumed for any inaccuracy found in this publication, nor for direct or indirect, incidental, consequential or other damages that may result from such an inaccuracy, including, but not limited to, loss of data or profits. Please report any inaccuracies found to support@mikrotik.com.