

mANT30 Polarization Slant Guide

This guide is written to slant mANT30 PA* Horizontal/Vertical polarization layout to +45°/-45°.

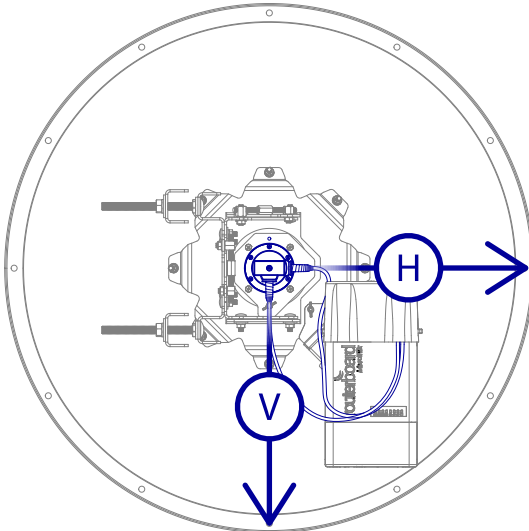
Slant can positively** affect Point-to-Point link:

- 1) reduce RF interference in signal congested areas;
- 2) reduce the impact on local microwave devices;
- 3) unify the channel output if deployed near a body of water.

* The polarization slant support mANT30 antennas with 8x square-bore parabolic dish. The guide assumes the mANT30 is preassembled.

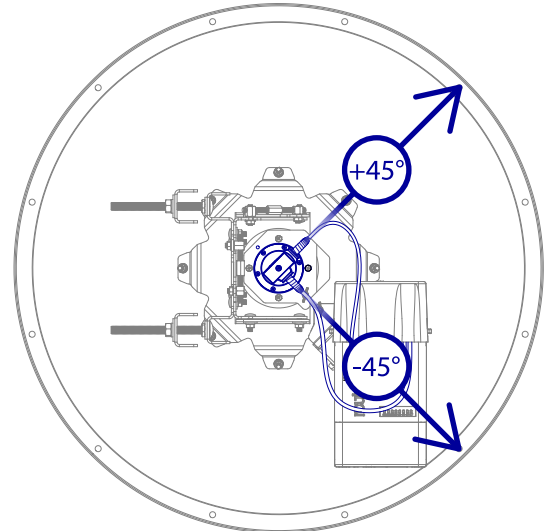
** The upgrade is optional. Customer shall decide if polarization slant is useful of being applied. Slant must be applied to both antennas in Point-to-Point link.

mANT30 PA assembly preview back



Horizontal/Vertical polarization*

*The preview is valid if a MikroTIK RB900 series radio device (sold separately) is installed.



+45°/-45° polarization*

Slant Guide for preassembled mANT30 PA

0. Items Required

• 8mm, 10mm Wrench • This guide is written to be used with a MikroTik RB900 series outdoor device (sold separately) • mANT30 must be detached from pole •

1. Disconnect RF cables

Remove the MikroTIK Radio cover. Disconnect RF cables. Use 8mm wrench to loosen the RF cables.

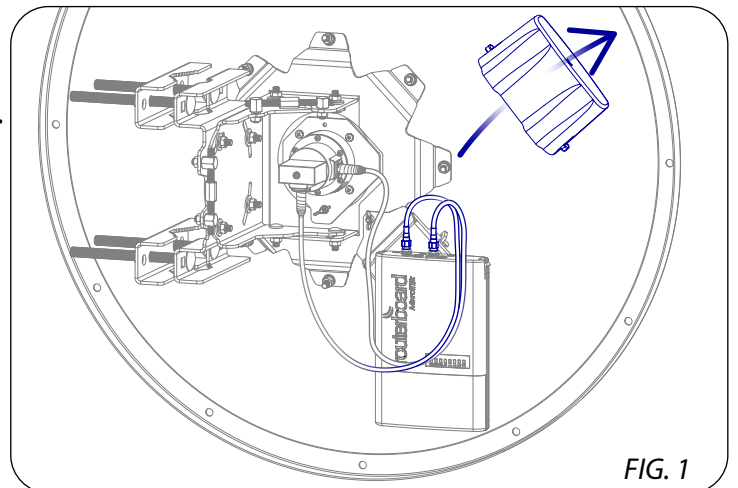


FIG. 1

2. Remove MikroTIK Radio unit

Loosen the Wing Nut and remove the MikroTIK Radio with Case Holder as shown in Figure 2.

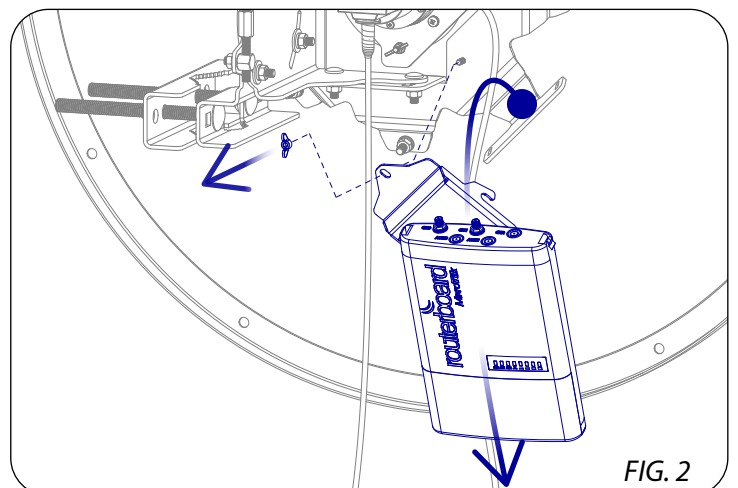


FIG. 2

3. Separate Parabolic Dish and Feed

Separate Parabolic Dish and Antenna Feed from assembly by unscrewing M6 Nut x 8 pcs.

Remove all fasteners:

M6x20 Bolt x 8 pcs;

M6 Washer x 8 pcs;

M6 Spring Lock Washer x 8 pcs;

M6 Nut x 8 pcs.

Warning:

- Ensure the components are not damaged during the process.

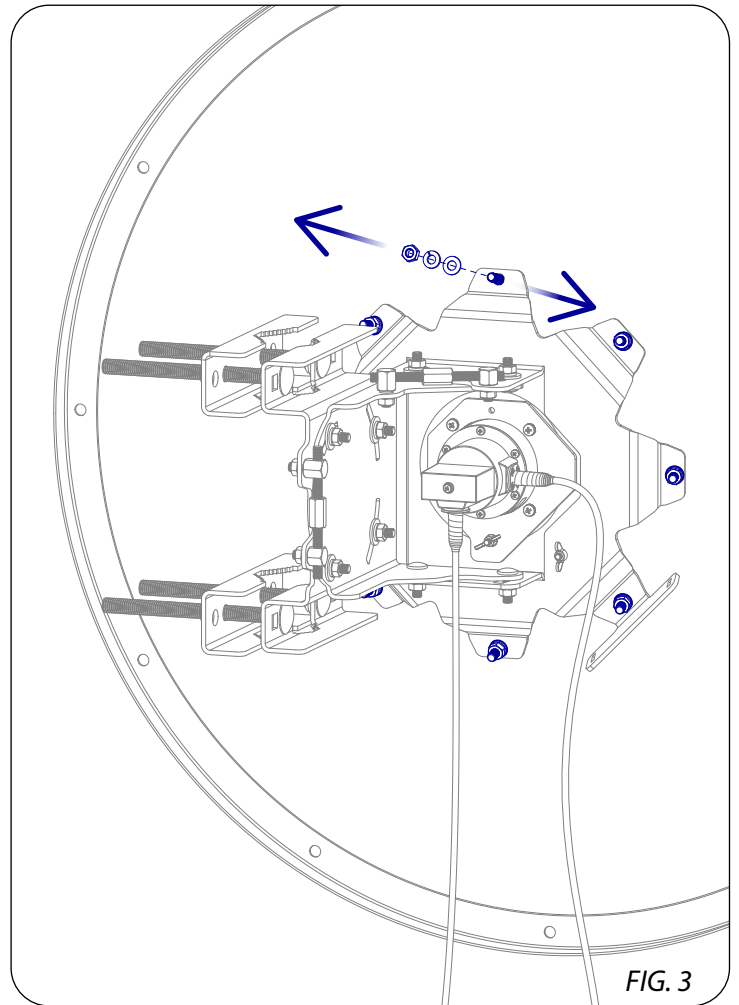


FIG. 3

4. Slant polarizations

Slant polarizations from Horizontal/Vertical to $+45^\circ/-45^\circ$ by rotating the Parabolic Dish and Feed 45° counter clockwise relatively to antenna mounting brackets as shown in Figure 4.

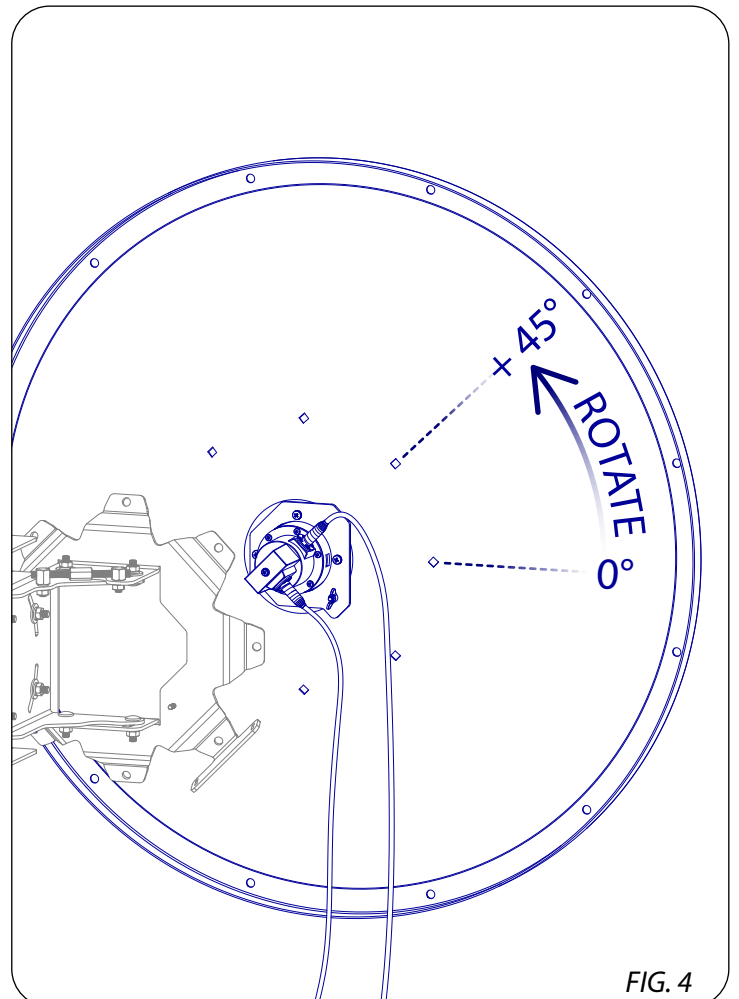


FIG. 4

5. Reassemble antenna components

Reverse guide steps #3 and #2

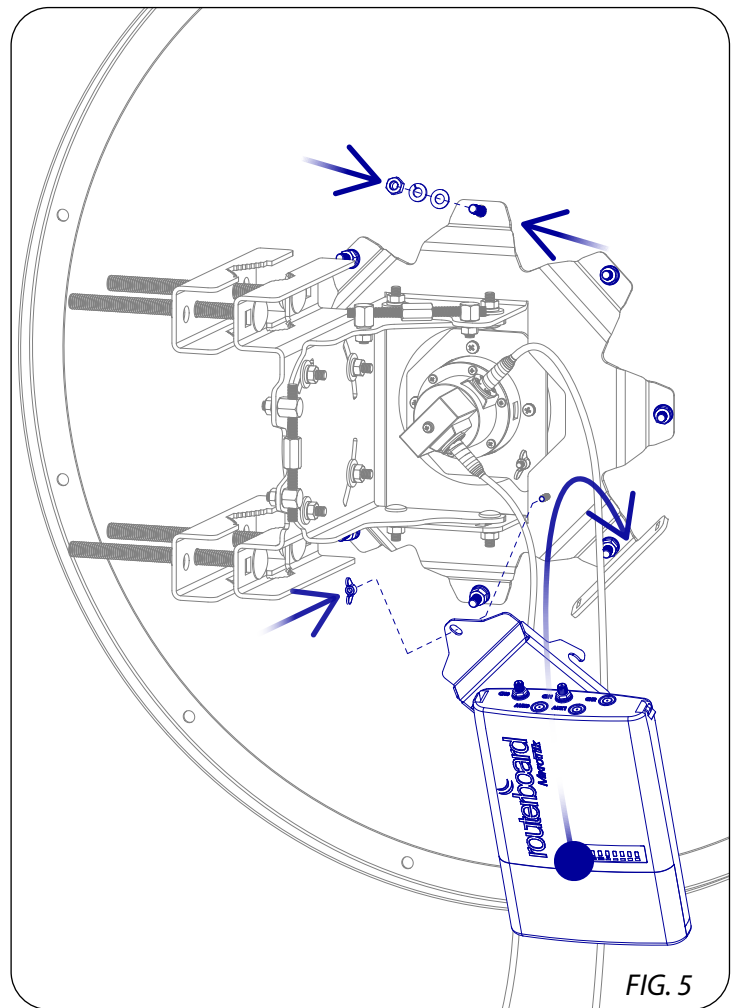
Install Back Plate to Parabolic Dish using:

- M6x20 Bolt x 8 pcs;
- M6 Washer x 8 pcs;
- M6 Spring Lock Washer x 8 pcs;
- M6 Nut x 8 pcs.

Attach Case Holder - MikroTIK Radio assembly to Back Plate by fitting Case Holder's hinges into the Back Plate's flange - see Figure 5.

Secure Case Holder using:

- M4 Wing Nut x 1 pc.



6. Install RF cables

RF cable install instruction is shown in Figure 6.1

Connect +45° polarization to CH1, -45° polarization to CH0.

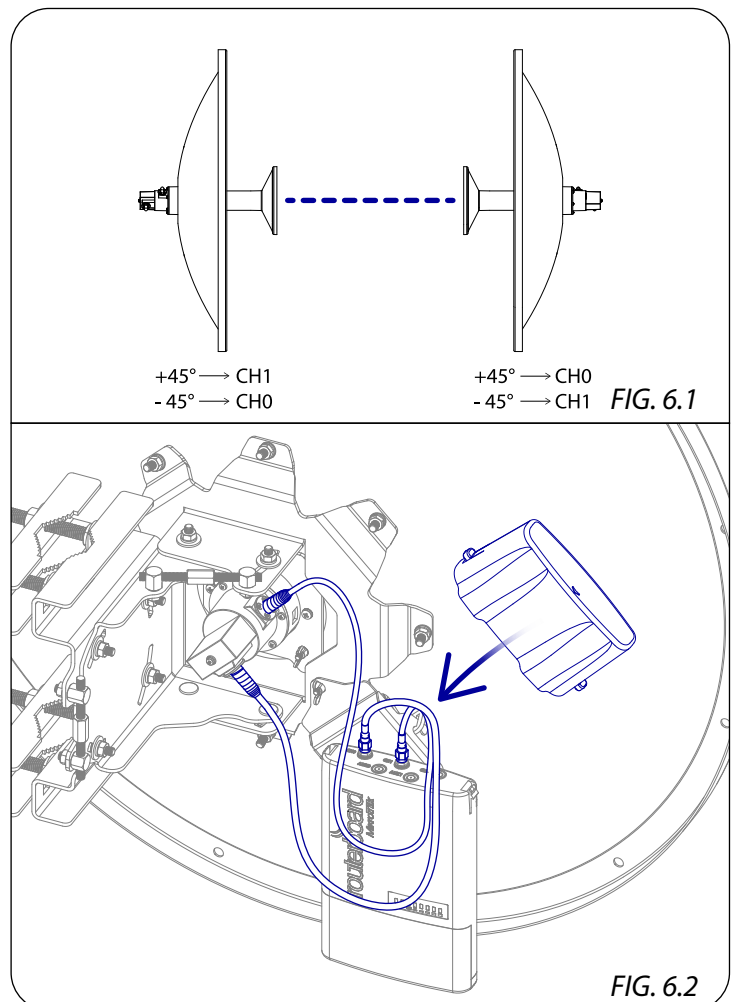
Invert the channel polarization on paired device:

Connect +45° polarization to CH0, -45° polarization to CH1.

Fit back the MikroTIK Radio cover.

Important:

- RF Cables connector tightening torque must be approximately 0.5 Nm.



Polarization slant complete